

Scale 1:1

Access Controller / Proximity Reader

AR-725-K



Web



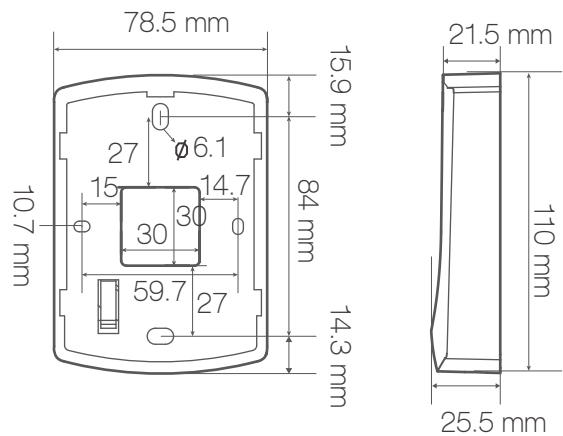
Youtube

Dimension (mm) 114(L)X78(W)X33(H)

Color



Installation



SPECIFICATION

B: 125Khz / D: 13.56Mhz / S: Dual Band

Model No.			725-K		
			B	D	
Proximity Reader	Communication Interface	Output Selection	WG 24-34	●	●
			WG 24-66		
			RS485		●
			RS232	●	
			USB		
			ABA-II	●	●
	Frequency	125kHz	EM	●	
			Mifare/NFC		●
		13.56 MHz	DESFire		●
			Felica		
		ISO15693			
Controller	Communication	Host	RS-485		
			TOP/IP		
			POE		
		Serial	UART Port		
			WG Module		
	Frequency / UID Bits	125kHz	EM		
			Mifare/NFC		
		13.56 MHz	DESFire		
			Felica		
			ISO15693		
	DI/DO	DI	Egress		
			Door State		
			Door Bell		
		RO	Door Lock Relay		
			Alarm Relay		
		DO	Door Bell Output		
	Security Output				
	Arming Output				
			Duress Output		
	Doors / Floors Number				
	User Capacity				
	Event Log				
RFID Reading Range : 725 Plastic			10-15 cm	3-8 cm	
RFID Reading Range: 725-M Metal			5-9 cm	3-5 cm	
Others	Tamper Switch		●		
	Tamper Output		●		
	WG In				
	WG Out		●		
	Buzzer		●		
	QRCode				
Dimension(mm)			725:110(L)X79(W)X26(H) / 725-M :125(L)X89(W)X30(H)		
Weight(g)			725:150±10 / 725-M :400±10		
Power Consumption			<1W		
Power Voltage			9~24VDC		
Ingress Protection			IP55		
Enviroment	Operating Temperature	Storage Temperature	Operating Humidity	Storage Humidity	
	-20 °C to +65 °C	-25 °C to +70 °C	20% ~ 90%	5% ~ 95%	